

Power Plant Accessories

Relay Racks

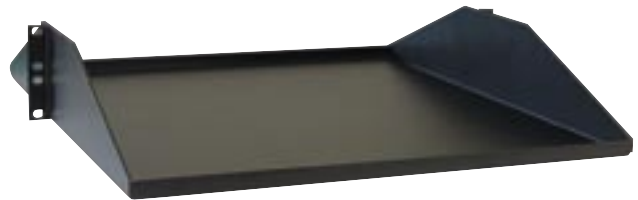
- 7' X 19" or 23" black painted racks constructed of high strength aluminum. Self supporting with two top angles for additional mounting points/additional strength. 19" rated to 1,000 lbs., 23" rated to 1,500 lbs.
- 5/8" - 5/8" - 1/2" mounting hole pattern. Compatible with conventional EIA 1 1/4" -1/2" alternating hole patterns.
- Six web channels per side for side-by-side rack installations.
- Includes 50 ea. #12-24 mounting screws.
- Shipped unassembled with assembly instructions.
- Weight: 19" - 32 lbs., 23" - 42 lbs.

Cabinets are also available in various configurations. Contact factory and specify requirements.



Battery Trays

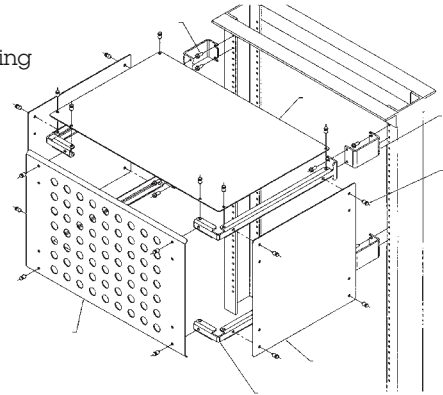
- Heavy gauge cold rolled steel trays fit standard 19" racks with 17 3/4" inner dimension
- Ideal for holding up to four 100 amp-hour front terminal batteries
- Inner dimensions: 17.25" Wide X 19.04" Deep
- 350 lb. capacity
- Black powder coat finish
- Mounting hardware supplied
- Weight 12 lbs.



23" trays also available in various depths. Contact factory and specify requirements.

Rear Rack Covers

- Clear plastic panels attach to rear of racks to protect service personnel by preventing accidental contact with "live" terminals, etc., from top, sides and rear.
- Holes in rear panels allow for flow-through ventilation of fan-cooled components
- Model indicates height of cover in rack units and rack width in inches:
RRC-3-19 3 RU, 19" rack
RRC-7-19 7 RU, 19" rack
RRC-3-23 3 RU, 23" rack
RRC-7-23 7 RU, 23" rack
- May be installed at 14" or 17" rear depth
- Multiple covers may be stacked to accommodate system height
- All mounting hardware included
- Weight: 2 lbs.



Special 2RU rear cover also available for DST panels - see page 13

DC Quick Connect Wiring Kits

- Allow for quick installation and removal of rectifiers
- Designed specifically for use with NEWMAR 1KW PM Series Power Modules and Power Function Manager (see pages 6-7) in stacked rack configuration.
- Wiring harness is fitted with "Anderson" quick-connect and ring lug terminals; all wires tie-wrapped into proper position for quick and easy installation.
- Simplifies parallel wiring of up to 6 modules
- Facilitates "hot" change-out of modules without system shutdown
- Wire gauge 6 AWG

Models:

QCK-3 for 2-3 Power Modules plus PFM and return bus bar; 3 lbs.

QCK-6 for up to 6 Power Modules plus PFM and return bus bar; 4 lbs.



